

Tailor Sectional

DLRS/40

Armless Left Return Sofa
OVERALL: 86W x 40D x 31H
SEAT: 24D 18H

YARDAGE: 40 (54" Wide, Plain)
OPTIONS: Arm, Back, Bases

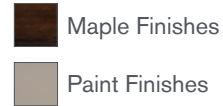
Also Available: Sofas, Chaises,
Chairs & Ottomans
Available By the Inch
Custom Inquiries Invited

DAS/40

Armless Sofa
OVERALL: 69W x 40D x 31H
SEAT: 24D 18H

BACK: 13B Lawson Tight
with Kidney
BASE: 16C Base to Floor
1.5" Hover Foot
TRIM: Micro Bias Welt

FINISHES



frames

Choose from one of our many STANDARD FRAMES or specify your own frame BY-THE-INCH WIDTH.
You may also choose from two STANDARD DEPTHS or specify your own BY-THE-INCH DEPTH.

Two standard overall depths are available: 37" deep or 40" deep.

The following dimensions apply to all of our standard frames:

SEAT DEPTH (for frames that are 37" deep overall): 22"SD

or

SEAT DEPTH (for frames that are 40" deep overall): 24"SD

LOOSE BACK OVERALL HEIGHT: 32" or 36"

TIGHT BACK OVERALL HEIGHT: 31" or 35"

LOOSE BACK FRAME HEIGHT: 31" or 35"

SEAT HEIGHT: 18"

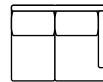
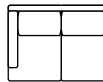
ARM HEIGHT: 24"

depths

37"D

40"D

STANDARD ONE ARM CHAIR and SOFA FRAMES * Overall width depends on arm width: 3.5" or 5" + Inside Width.



37"D DLC/37 Left Arm Chair

DRC/37 Right Arm Chair

DLL/37 Left Arm Loveseat

DRL/37 Right Arm Loveseat

DLS/37 Left Arm Sofa

DRS/37 Right Arm Sofa

40"D DLC/40 Left Arm Chair

DRC/40 Right Arm Chair

DLL/40 Left Arm Loveseat

DRL/40 Right Arm Loveseat

DLS/40 Left Arm Sofa

DRS/40 Right Arm Sofa

OW: 26.5" or 28"
IW: 23"

OW: 26.5" or 28"
IW: 23"

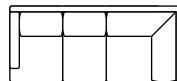
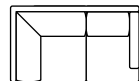
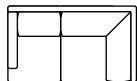
OW: 49.5" or 51"
IW: 46"

OW: 49.5" or 51"
IW: 46"

OW: 72.5" or 74"
IW: 69"

OW: 72.5" or 74"
IW: 69"

STANDARD ONE ARM CORNER SOFA FRAMES * Overall width depends on arm width: 3.5" or 5".
Note: Corners include an additional inside back cushion.



37"D DLCL/37 Left Arm Corner Loveseat
OW: 63.5" or 65"
IW: 45"

DRCL/37 Right Arm Corner Loveseat
OW: 63.5" or 65"
IW: 45"

DLCS/37 Left Arm Corner Sofa
OW: 86.5" or 88"
IW: 68"

DRCS/37 Right Arm Corner Sofa
OW: 86.5" or 88"
IW: 68"

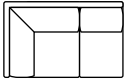
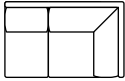
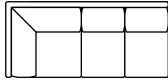

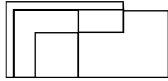
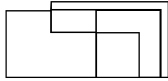
40"D DLCL/40 Left Arm Corner Loveseat
OW: 66.5" or 68"
IW: 47"

DRCL/40 Right Arm Corner Loveseat
OW: 66.5" or 68"
IW: 47"

DLCS/40 Left Arm Corner Sofa
OW: 89.5" or 91"
IW: 70"

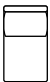
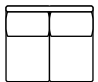

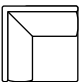
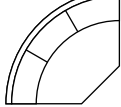
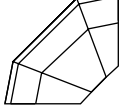
DRCS/40 Right Arm Corner Sofa
OW: 89.5" or 91"
IW: 70"

STANDARD ARMLESS RETURN SOFA FRAMES * Returns include an additional inside back cushion.

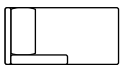
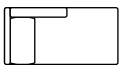

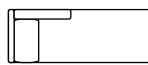




- | | | | | | |
|---|---|---|--|---|---|
|  |  |  |  |  |  |
| <input type="radio"/> 37"D DLRL/37 Armless Left Return Loveseat
OW: 60"
IW: 45" | <input type="radio"/> DRRL/37 Armless Right Return Loveseat
OW: 60"
IW: 45" | <input type="radio"/> DLRS/37 Armless Left Return Sofa
OW: 83"
IW: 68" | <input type="radio"/> DRRS/37 Armless Right Return Sofa
OW: 83"
IW: 68" | <input type="radio"/> DCLCH/37 Armless Left Return Chaise
OW: 83"
IW: 68" | <input type="radio"/> DCRCH/37 Armless Right Return Chaise
OW: 83"
IW: 68" |
| <input type="radio"/> 40"D DLRL/40 Armless Left Return Loveseat
OW: 63"
IW: 47" | <input type="radio"/> DRRL/40 Armless Right Return Loveseat
OW: 63"
IW: 47" | <input type="radio"/> DLRS/40 Armless Left Return Sofa
OW: 86"
IW: 70" | <input type="radio"/> DRRS/40 Armless Right Return Sofa
OW: 86"
IW: 70" | <input type="radio"/> DCLCH/40 Armless Left Return Chaise
OW: 86"
IW: 70" | <input type="radio"/> DCRCH/40 Armless Right Return Chaise
OW: 86"
IW: 70" |

STANDARD ARMLESS CHAIR and SOFA FRAMES



STANDARD CONNECTING CORNER FRAMES

- | | | | | | |
|---|---|---|---|---|---|
|  |  |  |  |  |  |
| <input type="radio"/> 37"D DAC/37 Armless Chair
OW: 23"
IW: 23" | <input type="radio"/> DAL/37 Armless Loveseat
OW: 46"
IW: 46" | <input type="radio"/> DAS/37 Armless Sofa
OW: 69"
IW: 69" | <input type="radio"/> DCC/37 Corner Chair
OW: 37"
IW: 22" | <input type="radio"/> DQTR/37 Quarter Turn
OW: 54" diagonally | <input type="radio"/> DWDG/37 Wedge
OW: 52" diagonally |
| <input type="radio"/> 40"D DAC/40 Armless Chair
OW: 23"
IW: 23" | <input type="radio"/> DAL/40 Armless Loveseat
OW: 46"
IW: 46" | <input type="radio"/> DAS/40 Armless Sofa
OW: 69"
IW: 69" | <input type="radio"/> DCC/40 Corner Chair
OW: 40"
IW: 24" | <input type="radio"/> DQTR/40 Quarter Turn
OW: 57" | <input type="radio"/> DWDG/40 Wedge
OW: 55" |

STANDARD ONE ARM CHAISE FRAMES * Overall width depends on arm width: 3.5" or 5" + Inside Width.

- | | | | | |
|--|---|--|--|---|
| these pieces coordinate with 37" deep frames because of depth and arm length |  |  |  |  |
| | <input type="radio"/> DSLCH/58 Short Left Arm Chaise
OW: 26.5" or 28"
OD: 58"
SD: 43"
IW: 23" | <input type="radio"/> DSRCH/58 Short Right Arm Chaise
OW: 26.5" or 28"
OD: 58"
SD: 43"
IW: 23" | <input type="radio"/> DLLCH/75 Long Left Arm Chaise
OW: 26.5" or 28"
OD: 75"
SD: 60"
IW: 23" | <input type="radio"/> DLRCH/75 Long Right Arm Chaise
OW: 26.5" or 28"
OD: 75"
SD: 60"
IW: 23" |
| these pieces coordinate with 40" deep frames because of depth and arm length |  |  |  |  |
| | <input type="radio"/> DSLCH/61 Short Left Arm Chaise
OW: 26.5" or 28"
OD: 61"
SD: 46"
IW: 23" | <input type="radio"/> DSRCH/61 Short Right Arm Chaise
OW: 26.5" or 28"
OD: 61"
SD: 46"
IW: 23" | <input type="radio"/> DLLCH/78 Long Left Arm Chaise
OW: 26.5" or 28"
OD: 78"
SD: 63"
IW: 23" | <input type="radio"/> DLRCH/78 Long Right Arm Chaise
OW: 26.5" or 28"
OD: 78"
SD: 63"
IW: 23" |

STANDARD OTTOMAN FRAMES

- | | |
|---|---|
|  |  |
| <input type="radio"/> DOT/20 Ottoman
OW: 23"
OD: 20"
OH: 17" | <input type="radio"/> DCT/36 Cocktail Ottoman
OW: 36"
OD: 36"
OH: 17" |

ARMS



1A Fan to Front
OW: 5"



2A Fan with
T-Cushion
OW: 5"



3A English with
T-Cushion
OW: 5"



4A Track to
Front
OW: 3.5"



5A Track with
T-Cushion
OW: 3.5"



6A Curved Track to
Front
OW: 3.5"



7A Curved Track
with T-Cushion
OW: 3.5"



8A Sock to Front
OW: 5"



9A Sock with
T-Cushion
OW: 5"



10A Square to
Front
OW: 5"



11A Square with
T-Cushion
OW: 5"



12A Cap to Front
OW: 3.5"



13A Cap with
T-Cushion
OW: 3.5"

BACKS BH: 31" or 35" SH: 18" AH: 24"



9B Straight
Border
OH: 32"



9B T-Border
OH: 32"



10B Straight Knife
Edge
OH: 32"



11B T-Knife Edge
OH: 32"



12B Lawson Tight
OH: 31"
*On 37" OD only



13B Lawson Tight with Kidney
OH: 31"
*On 40" OD only

9BH Straight Border -
High Back
OH: 36"

9BH T-Border -
High Back
OH: 36"

10BH Straight Knife
Edge - High Back
OH: 36"

11BH T-Knife Edge -
High Back
OH: 36"

12BH Lawson Tight -
High Back
OH: 35"
*On 37" OD only

13BH Lawson Tight with
Kidney - High Back
OH: 35"
*On 40" OD only

BASES Optional Curved Fender available. Specify 12CC, 14CC, 15CC or 21CC when choosing Curved Fender Option. Not available on Ottomans



12C Turned*
OH: 5"



13C Platform
OH: 5"



14C Square Taper*
OH: 5"



15C Thin Taper*
OH: 5"



16C Base To Floor
OH: 1.5"
Hover Foot



17C Waterfall Skirt
with 5" Taper Leg
*Additional



18C Wood Ledge
OH: 1.5"



19C Chrome Ledge
OH: 1.5"



20C Acrylic Ledge
OH: 1.5"
*Additional



21C Round Taper*
OH: 5"

TRIM



○ Blind Stitch



○ Micro Bias Welt



○ Trim Cord
*Additional